

Receiver

From

Society
Reference
Address
Phone
Fax
E-mail

Item n° :

60194120

Model :

GRINDER FX 15.07 T-NA Ex

Type of installation :

Wet - Pump only

Pump data

Free passage : --
Max. immersion depth : 20 m
Min. fluid temperature : 0 °C
Max. fluid temperature : 50 °C

Requested data

Flow :
Head :
Fluid : Water
Fluid Temperature : 20 °C
Density : 998,3 kg/m³
Kinematic viscosity : 1,005 mm²/s
Vapor pressure : 2,34 kPa

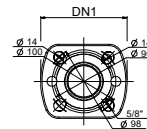
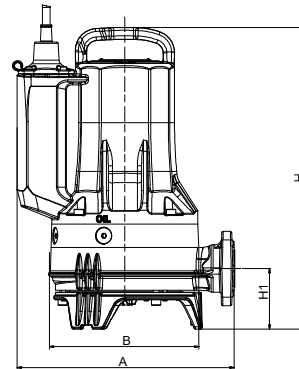
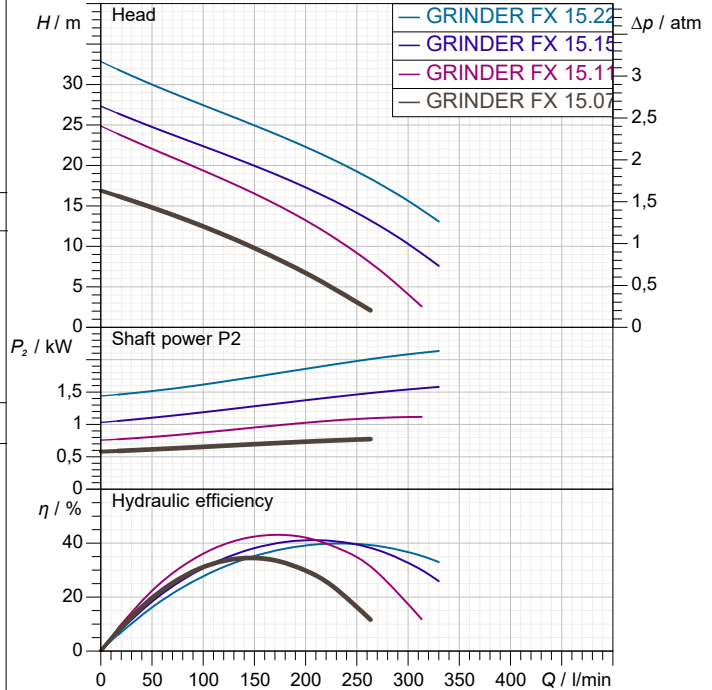
Hydraulic data (duty point)

Flow :
Head :

Materials

Handle : Cast iron (EN GJL 200)
Pump body / motor : Cast iron (EN GJL 200)
Impeller : Cast iron (EN GJL 250)
Mechanical seal pump side : SiC-SiC/SiC-C
Mechanical seal motor side : SiC/Carbon
OR ring : NBR
Cutter / Cutter Base : Steel EN1.4542 / AISI 630

Curve tolerance according to ISO 9906



Motor data

Motor brand : DAB
Nominal power P₂ : 0,8 kW
Rated speed : 2.870 1/min
Rated voltage : 3~ 400 V 50 Hz
Nominal current : 2 A
Degree of protection : IP 68

Weight : 35 kg **Accessory weight :**

Dimensions in mm

A	306				
B	215				
DN1	32, 40				
GAS	Rp 1"1/2				
H	404				
H1	87				

Pump connection

Suction side : --
Discharge side : Rp 1"1/2 - DN 32 PN10/6, DN 40 PN6



PERFORMANCE CURVES

2020-12-09

Page 2 / 3

DAB PUMPS S.p.A.
Via Marco Polo, 14 - 35035 Mestrino (PD), Italy
Tel. +39 049 5125000 - Fax +39 049 5125950
www.dabpumps.com

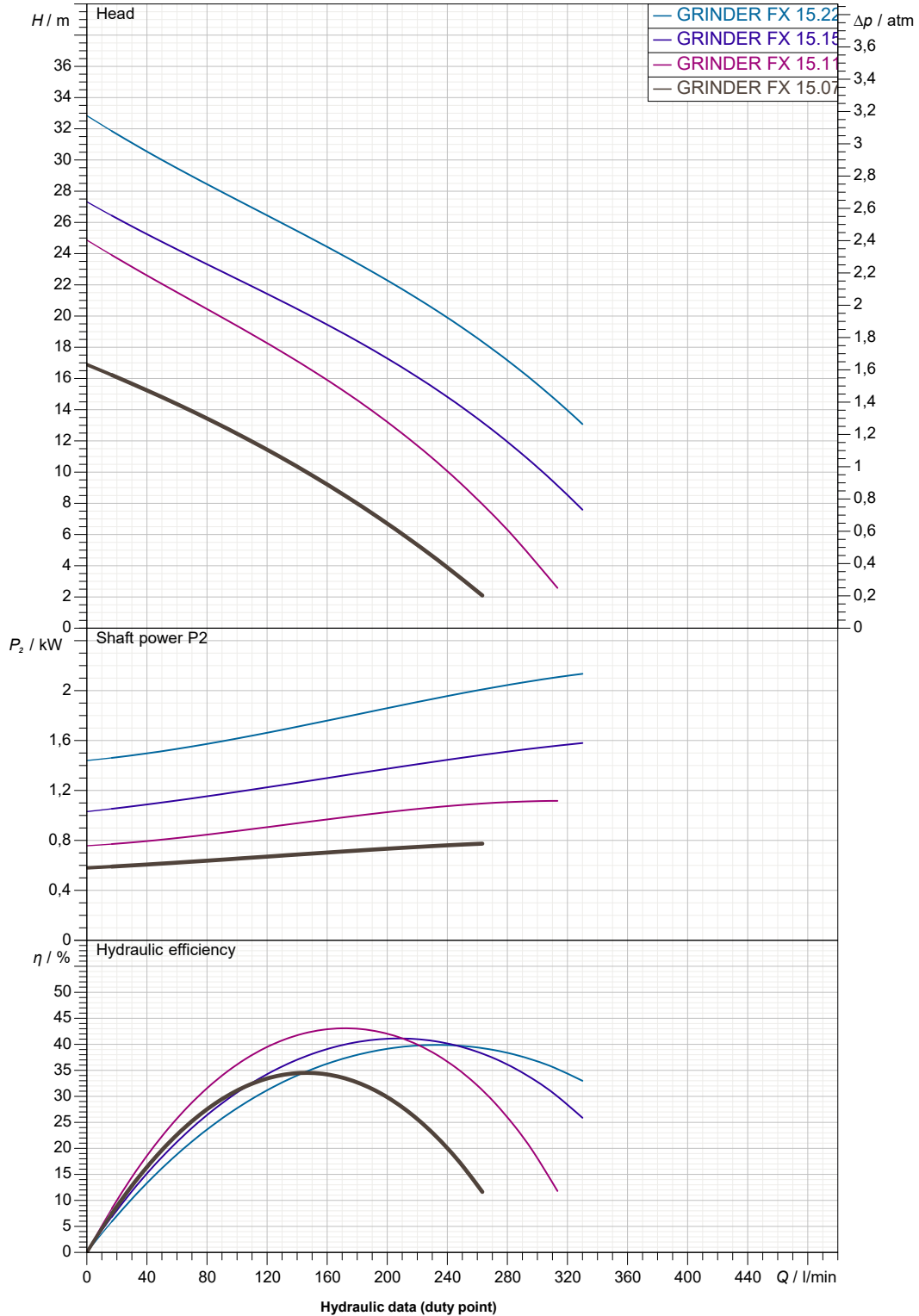
Receiver

From

Society
Reference
Address
Phone
Fax
E-mail

GRINDER FX 15.07 T-NA Ex

Curve tolerance according to ISO 9906



Suction side :

Discharge side :
Rp 1"1/2 - DN 32 PN10/6, DN 40 PN6
--

Flow :

Head :

Rated speed :
2.870 1/min

MAIN_PROJECT_TITLE

BUSINESS_PROCESS_ID

OWNER_

ISSUE_DATE
2020-12-09



DIMENSIONAL DRAWING

2020-12-09

Page 3 / 3

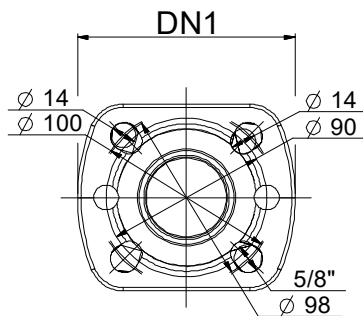
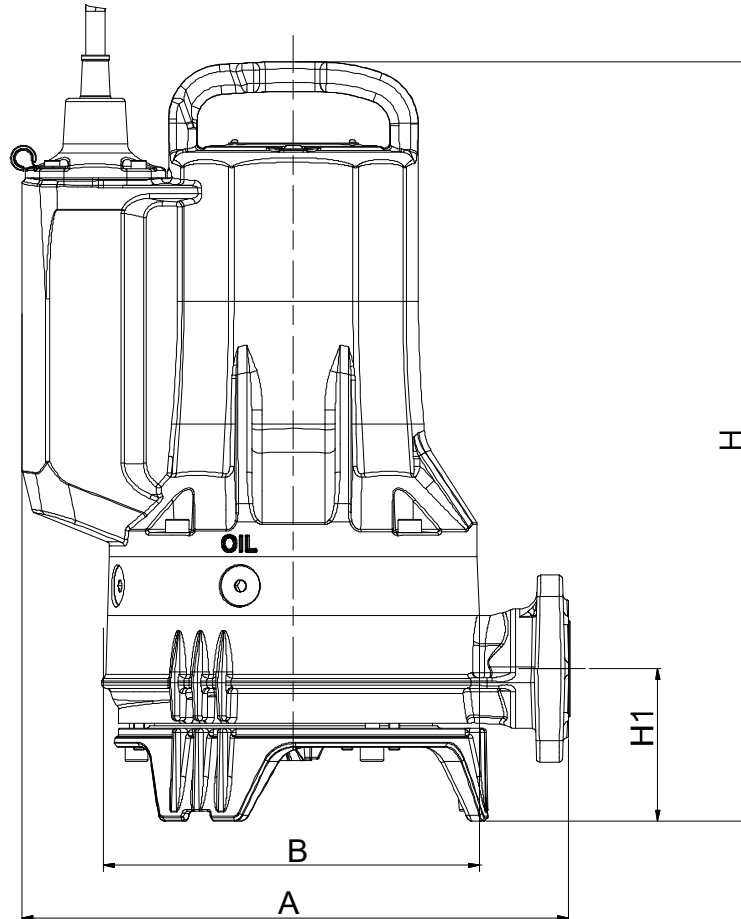
DAB PUMPS S.p.A.
Via Marco Polo, 14 - 35035 Mestrino (PD), Italy
Tel. +39 049 5125000 - Fax +39 049 5125950
www.dabpumps.com

Receiver

From

Society
Reference
Address
Phone
Fax
E-mail

GRINDER FX 15.07 T-NA Ex



Dimensions in mm

Pump connection

1	A	306					
2	B	215					Suction
3	DN1	32, 40					
4	GAS	Rp 1"1/2					Discharge
5	H	404					Rp 1"1/2 - DN 32 PN10/6, DN 40 PN6
6	H1	87					--
7							
8							
9							
10							
11							
12							

MAIN_PROJECT_TITLE	BUSINESS_PROCESS_ID	OWNER	ISSUE_DATE 2020-12-09
--------------------	---------------------	-------	---------------------------------